

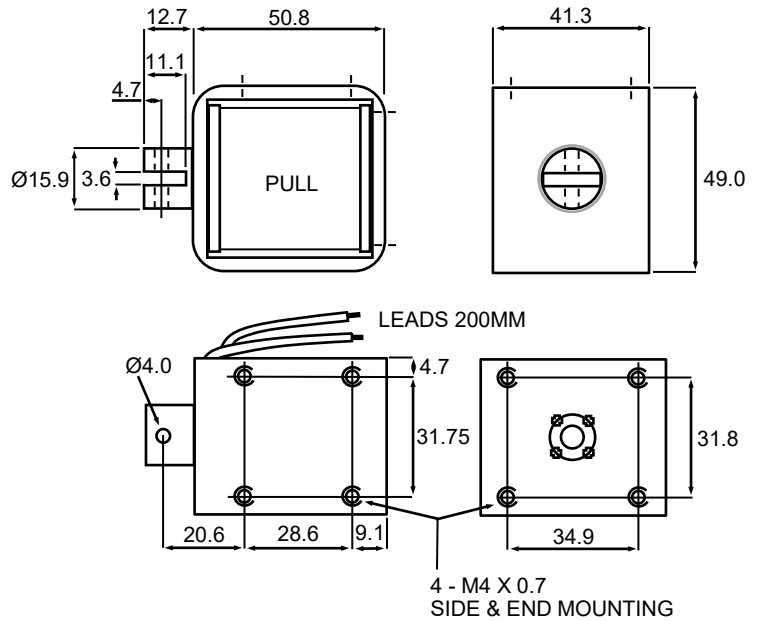


B5
AC & DC LINEAR SOLENOID

Equivalent to BLP 43 Series
Pull Type
43 120 610 540 = BDC5/177/6/100%
43 120 610 620 = BDC5/178/12/100%
43 120 610 720 = BDC5/179/24/100%

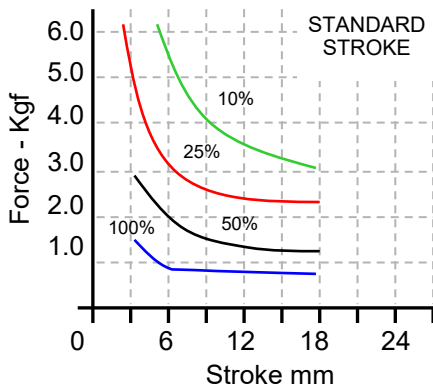
Solenoid shown in energised position

Weight complete 566g
Plunger weight 85g max



DIMENSIONS IN MM

BAC5

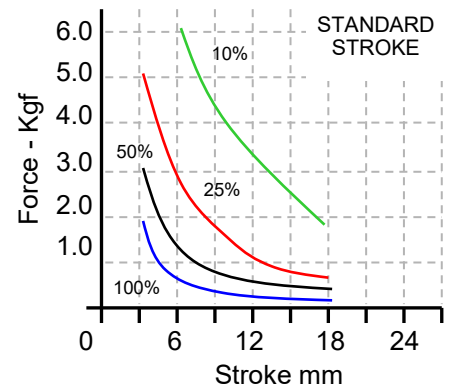


Forces shown are at working temperature
Cold forces are higher

AC Closed VA

- 100% Rtg = 30VA
- 50% Rtg = 70VA
- 25% Rtg = 120VA
- 10% Rtg = 300VA

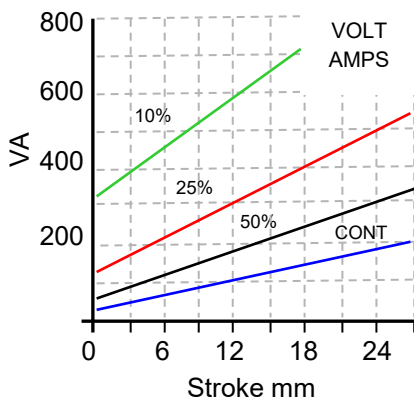
BDC5



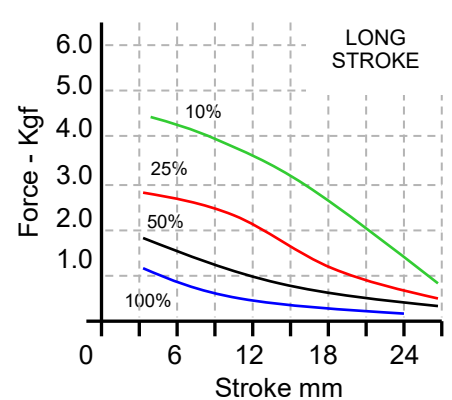
DC Watts

- 100% Rtg = 15W
- 50% Rtg = 30W
- 25% Rtg = 60W
- 10% Rtg = 150W

BAC5



BDC5L



** Please note: Fixing, plunger coupling, thrust rods and lead length can all be customised **
We reserve the right to alter or amend designs without prior notice.

HE & BS Benson Ltd

1 Laureate Industrial Estate, Exning Road, Newmarket, Suffolk UK CB8 0AR

T. +44(0)1638 663535 or 663130 sales@hebsenson.co.uk www.hebsenson.co.uk